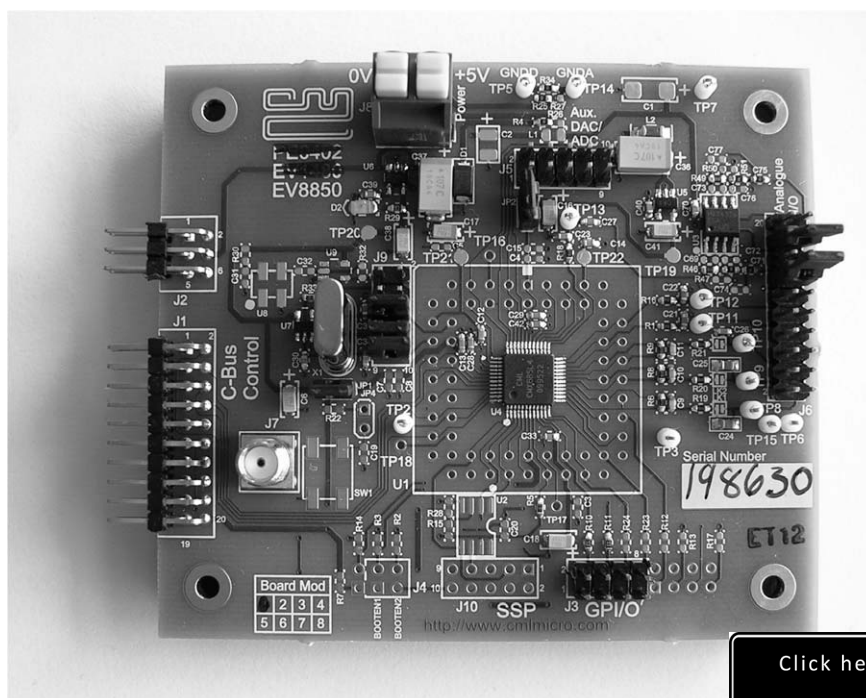


UM8850/1 September 2009

## Features

- **CMX885 evaluation**
- **Command and control by PC via the PE0002 interface card or user's  $\mu$ C development application or emulator**
- **Separate on-board analogue and digital supply regulators**
- **3.6864MHz crystal or external clock input to CMX885**
- **On-board access to all CMX885 signals, commands and data**
- **Two on-board uncommitted op amps**



Click here for:

- Latest Datasheet
- Product Data Resource



## 1 Brief Description

The EV8850 Evaluation Kit is designed to assist in the evaluation and application development of the CMX885 Marine VHF Audio and Signalling Processor. The kit is in the form of a populated PCB comprising a CMX885 IC and appropriate supporting components and circuitry.

The board incorporates all of the necessary power-supply regulation facilities for operation from a single 5 volt supply.

The board is fitted with a C-BUS connector allowing the EV8850 to be operated by connection to either of the two C-BUS ports on a CML PE0002 Interface Card, and used with the associated PC GUI software, or by direct connection between the CMX885 C-BUS and the user's  $\mu$ C development application or emulation system.

## CONTENTS

<u>Section</u>	<u>Page</u>
<b>1 Brief Description.....</b>	<b>1</b>
1.1 History.....	3
<b>2 Preliminary Information .....</b>	<b>5</b>
2.1 Laboratory Equipment .....	5
2.2 Handling Precautions .....	5
2.2.1 Static Protection .....	5
2.2.2 Contents - Unpacking .....	5
2.3 Approvals.....	5
<b>3 Quick Start .....</b>	<b>6</b>
3.1 With PE0002.....	6
3.1.1 Setting-Up.....	6
3.1.2 Operation.....	6
3.2 Without PE0002.....	6
<b>4 Signal Lists.....</b>	<b>7</b>
<b>5 Circuit Schematics and Board Layouts .....</b>	<b>11</b>
<b>6 Detailed Description.....</b>	<b>12</b>
6.1 Hardware Description.....	12
6.1.1 Power Supplies.....	12
6.1.2 Clock Options .....	12
6.1.3 Control Interface .....	13
6.1.4 Baseband Interfacing.....	13
6.1.5 Digital Interfacing.....	13
6.2 Adjustments and Controls .....	13
6.3 Software Description .....	14
6.4 Evaluation Tests .....	14
6.4.1 Write to and Read from a Register.....	14
6.4.2 Check Transmit Voice Path.....	14
6.4.3 Check Receive Voice Path.....	15
6.4.4 Generate Two External Digital Clocks.....	15
<b>7 Performance Specification .....</b>	<b>16</b>
7.1 Electrical Performance .....	16
7.1.1 Absolute Maximum Ratings.....	16
7.1.2 Operating Limits .....	16
7.1.3 Operating Characteristics .....	17
7.1.4 Operating Characteristics - Timing Diagrams .....	1

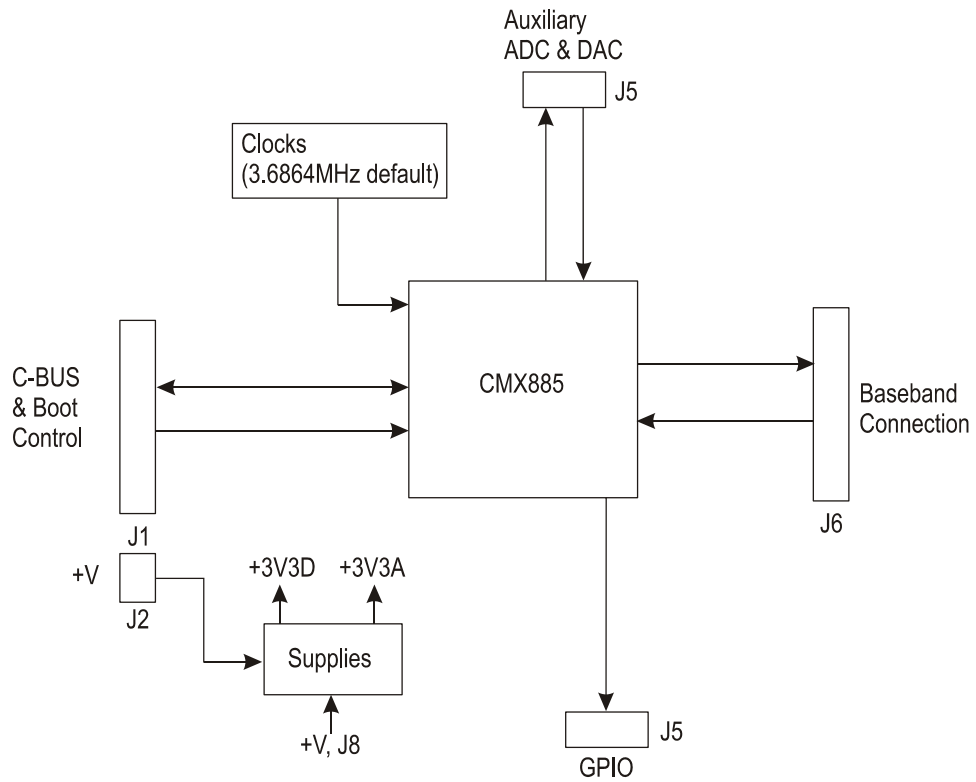
<u>Table</u>	<u>Page</u>
Table 1 – Signal List.....	8
Table 2 – Test Points .....	9
Table 3 – Jumpers .....	10
Table 4 – LEDs .....	10
Table 5 – Clock Select Jumper Positions .....	12
Table 6 – CMX885 Register Settings – Transmit Voice Path.....	14
Table 7 – CMX885 Register Settings - Receive Voice Path.....	15
Table 8 – CMX885 Register Settings - External Digital Clocks.....	15

<u>Figure</u>	<u>Page</u>
Figure 1 – Block Diagram .....	4
Figure 2 – EV8850 used with PE0002.....	6
Figure 3 – PCB Layout: Top .....	11

It is always recommended that you check for the latest product datasheet version from the Datasheets page of the CML website: [[www.cmlmicro.com](http://www.cmlmicro.com)].

## 1.1 History

Version	Changes	Date
2		
1	Original document.	28th Aug '09



**Figure 1 – Block Diagram**

## 2 Preliminary Information

The EV8850 is designed to support the CMX885 Marine VHF Audio and Signalling Processor.

### 2.1 Laboratory Equipment

The following laboratory equipment is needed to use this evaluation kit:

A 5 Volt dc regulated power supply.

If the EV8850 is being used with the PE0002 Interface Card, the following items will also be required:

1. An IBM compatible PC with the following requirements:
  - One of the following Windows operating systems installed: 2000sp4 or XPsp2.
  - USB port.
  - Minimum screen resolution 800 x 600. Recommended resolution 1024 x 768.
2. A USB type A male to mini B male cable.
3. Software application **ES000221.exe**, or later version, installed on the PC.

### 2.2 Handling Precautions

Like most evaluation kits, this product is designed for use in office and laboratory environments. The following practices will help ensure its proper operation.

#### 2.2.1 Static Protection

This product uses low power CMOS circuits that can be damaged by electrostatic discharge. Partially damaged circuits can function erroneously, leading to misleading results. Observe ESD precautions at all times when handling this product.

#### 2.2.2 Contents - Unpacking

Please ensure that you have received all of the items on the separate information sheet (EK1480) and notify CML within 7 working days if the delivery is incomplete.

### 2.3 Approvals

**This product is not approved to any EMC or other regulatory standard. Users are advised to observe local statutory requirements, which may apply to this product.**

### 3 Quick Start

This section is divided into two sub-sections. The first is for those users who are using the EV8850 with a PE0002 controller card and its Windows PC GUI software. The second is for users who are using the EV8850 by itself, without a PE0002.

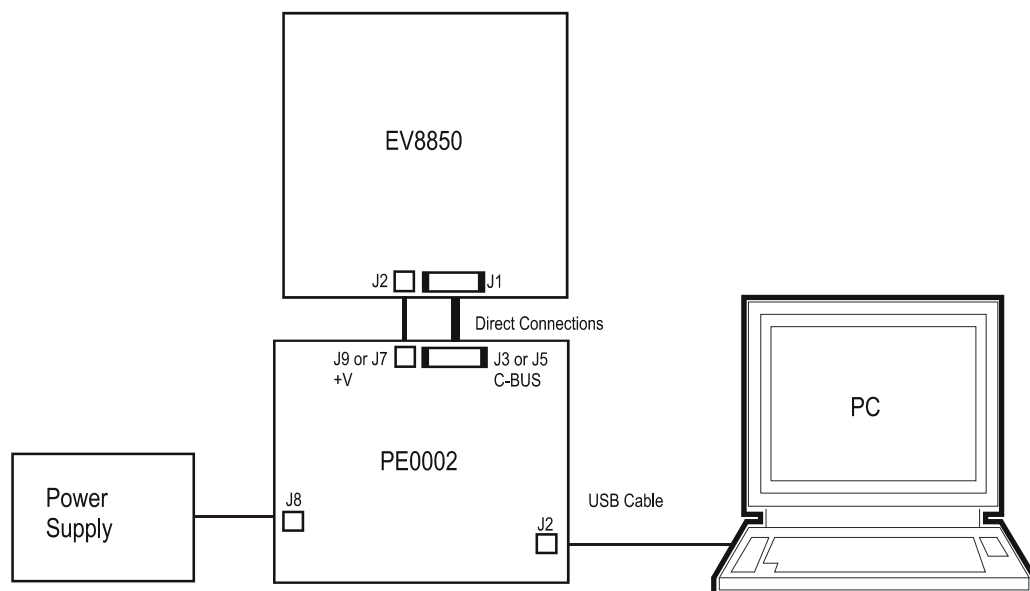
#### 3.1 With PE0002

Note that the C-BUS connector J1 and the power connector J2 are both right angle headers and are designed to plug directly into sockets J5 (C-BUS 1 port) and J9 respectively, or sockets J3 (C-BUS 2 port) and J7 respectively, of a PE0002.

##### 3.1.1 Setting-Up

Refer to the PE0002 user manual and follow the instructions given in the quick start section.

The basic arrangement, when used with the PE0002 is shown below:



**Figure 2 – EV8850 used with PE0002**

##### 3.1.2 Operation

The EV8850 should now be ready for evaluation of the CMX885.

#### 3.2 Without PE0002

As an alternative to using the PE0002 controller kit, users may control the CMX885 target device with a user-supplied host controller card. C-BUS connections are made via connector J1.

## 4 Signal Lists

CONNECTOR PINOUT				
Connector Ref.	Connector Pin No.	Signal Name	Signal Type	Description
J1	1, 3, 5, 7, 9, 13 to 18	N/C	-	
	2	CSN	I/P	Chip select. Connects to host $\mu$ C.
	4	CDATA	I/P	Serial Data input. Connects to host $\mu$ C.
	6	SCLK	I/P	Serial clock input. Connects to host $\mu$ C.
	8	RDATA	O/P	Serial data output. Connects to host $\mu$ C.
	10	IRQN	O/P	Interrupt request. Connects to host $\mu$ C.
	11, 12	GNDD	PWR	Digital supply ground.
	19, 20	+3V3D	PWR	3.3V dc digital supply rail.
J2	1, 2	GNDD	PWR	Digital supply ground.
	3 to 6	+V	PWR	External supply voltage – Daisy chained from PE0002.
J3	1	RXENA	O/P	Receive enabled – active low.
	3	TXENA	O/P	Transmit enabled – active low.
	5, 7	N/C	-	<i>no connection, do not use.</i>
	2, 4, 6, 8	GNDD	PWR	Digital supply ground.
J5	1	AUXADC4	I/P	Auxiliary ADC input.
	2	AUXDAC1	O/P	Auxiliary DAC output.
	3	AUXADC3	I/P	Auxiliary ADC input.
	4	AUXDAC2	O/P	Auxiliary DAC output.
	5	AUXADC2	I/P	Auxiliary ADC input.
	6	AUXDAC3	O/P	Auxiliary DAC output.
	7	AUXADC1	I/P	Auxiliary ADC input.
	8	AUXDAC4	O/P	Auxiliary DAC output.
9, 10	GNDA	PWR	Analogue supply ground.	

CONNECTOR PINOUT				
Connector Ref.	Connector Pin No.	Signal Name	Signal Type	Description
J6	1	DISCIN	I/P	Discriminator inverting input.
	3	ALTIN	I/P	Alternate inverting input.
	5	MICIN	I/P	Microphone inverting input.
	7	MOD1	O/P	Modulator 1 output.
	9	MOD2	O/P	Modulator 2 output.
	11	AUDIO	O/P	Audio output.
	13	BUF1IN	I/P	High impedance buffered input.
	15	BUF1OUT	O/P	Buffered output.
	17	BUF2IN	I/P	High impedance buffered input.
J7	19	BUF2OUT	O/P	Buffered output.
	2, 4, 6, 8, 10, 12, 14, 16, 18, 20	GND	PWR	Analogue supply ground.
J7		CLKEXT	I/P	External input option for CMX885 clock.
J8		+V	PWR	External supply voltage.
		0V	PWR	External supply ground.

Table 1 – Signal List



<b>TEST POINTS</b>		
<b>Test Point Ref.</b>	<b>Default Measurement</b>	<b>Description</b>
TP2	0V	Loop – CMX885 system clock 2 output.
TP3	0V	Loop – CMX885 system clock 1 output.
TP5	0V	Loop – GNDD, digital ground.
TP6	0V	Loop – GNDA, analogue ground.
TP7	0V	Loop – GNDA, analogue ground.
TP8	-	Loop – DISCIN - Discriminator inverting input.
TP9	-	Loop – ALTIN - Alternate inverting input.
TP10	-	Loop – MICIN - Microphone inverting input.
TP11	HiZ	Loop – MOD1 - Modulator 1 output.
TP12	HiZ	Loop – MOD2 - Modulator 2 output.
TP13	HiZ	Loop – AUDIO - Audio output.
TP14	0V	Loop – GNDA, analogue ground.
TP15	0V	Loop – GNDA, analogue ground.
TP19	3.3V	Pad – Output from on-board regulator. DC supply voltage for analogue rail.
TP20	3.3V	Pad – Output from on-board regulator. DC supply voltage for digital rail.
TP21	2.5V	Pad – CMX885 internally generated voltage.
TP22	0V	Pad – CMX885 VBIAS.

**Table 2 – Test Points**

JUMPERS			
Link Ref.	Positions	Default Position	Description
JP1	1-2	Short	Isolates digital supply rail from CMX885.
JP2	1-2	Short	Isolates analogue supply rail from CMX885.
J9	1-2	Open	<i>no connection, do not use.</i>
	3-4	Open	External clock source.
	5-6	Short	Crystal clock source – if components fitted by customer.
	7-8	Short	Ground external clock input.
	9-10	Short	Crystal clock source – if components fitted by customer.
J6	13-14	Short	Ground input to uncommitted buffer1.
	17-18	Short	Ground input to uncommitted buffer2.

Table 3 – Jumpers

LEDs	
LED Ref.	Description
D2	Indicates that the digital supply voltage is present.

Table 4 – LEDs

Notes:

BI	=	Bidirectional
HiZ	=	High impedance
I/P	=	Input
N/C	=	Not connected
O/P	=	Output
PWR	=	Power supply connection

## 5 Circuit Schematics and Board Layouts

For clarity, circuit schematics are available as separate high-resolution files. These can be obtained via the CML website.

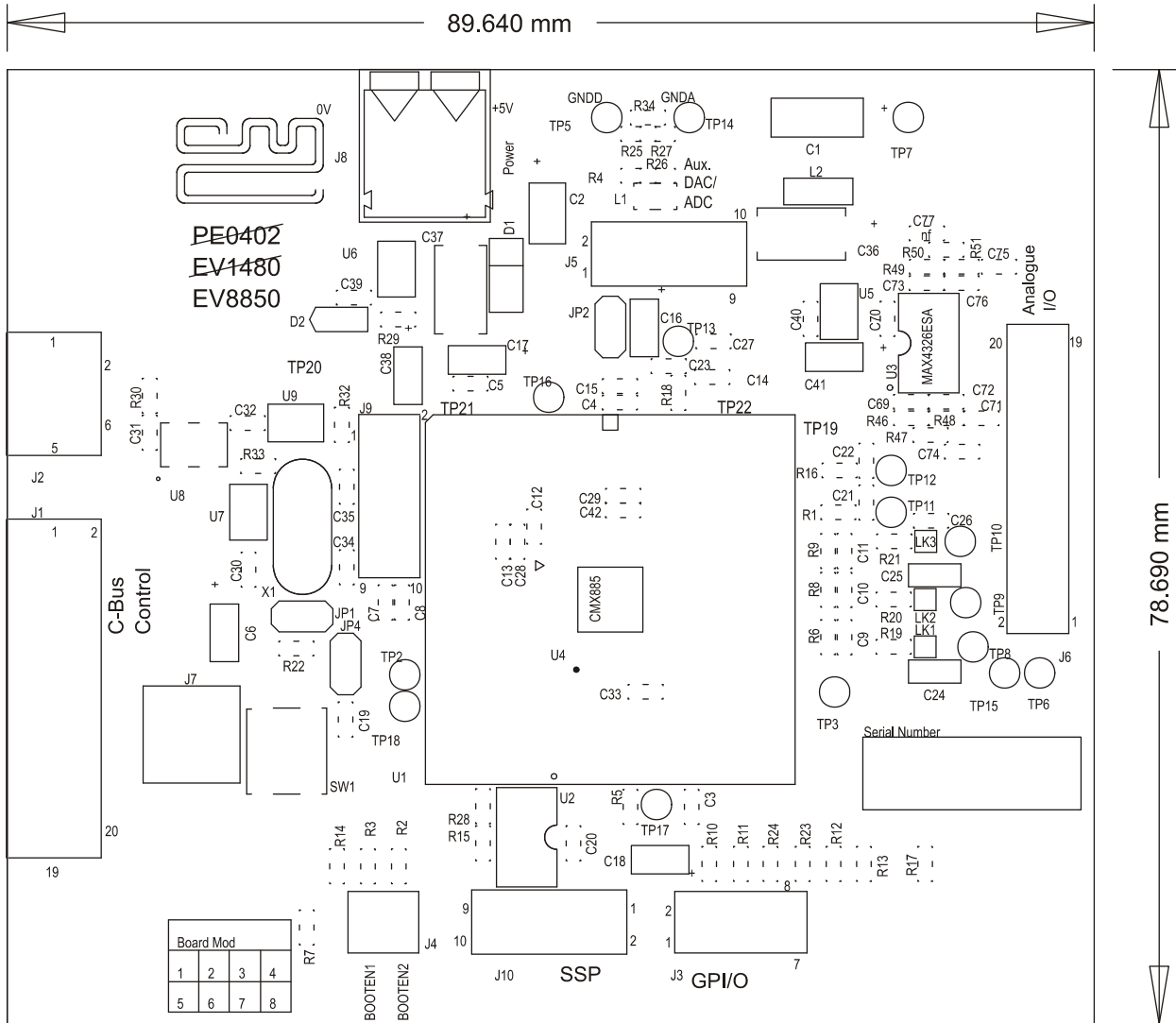


Figure 3 – PCB Layout: Top

## 6 Detailed Description

### 6.1 Hardware Description

#### 6.1.1 Power Supplies

The board is fitted with two voltage regulators: U5 and U6 provide the analogue and digital supply rails respectively. The input to these two regulators should be provided by an external 5V dc regulated power supply, which can be daisy chained from the PE0002 or connected to the board via connector J8, a push type connector.

The analogue and digital supply voltage levels can be monitored on test points TP19 and TP20 respectively.

LED illumination confirms the on-board presence of the +3.3V dc digital voltage supply.

#### 6.1.2 Clock Options

The PCB is designed to provide two CMX885 device clock options. The board is supplied with a 3.6864MHz quartz crystal oscillator circuit (C34, C35 and X1).

Header J9 is used with jumper sockets to select the required option as shown in the table below. Shaded cells illustrate locations where a jumper socket should be fitted.

J4 Jumper Position	Clock Option	
	External	Quartz crystal (default)
1-2		
3-4		
5-6		
7-8		
9-10		

**Table 5 – Clock Select Jumper Positions**

### 6.1.3 Control Interface

The CMX885 C-BUS is brought out on connector J1. This is a right angle male header designed to plug directly into the PE0002 interface card that has a matching female header.

### 6.1.4 Baseband Interfacing

Connector J5 provides access to Auxiliary ADCs 1 to 4 and Auxiliary DACs 1 to 4 of the CMX885 device.

The CMX885 baseband input amplifiers for DISC, ALT and MIC are configured as ac coupled, unity gain, inverting amplifiers. The inputs to these circuits are fed from connector J6.

The CMX885 baseband outputs, MOD1, MOD2 and AUDIO, are fed through an RC network to connector J6.

A dual op amp IC is fitted to the board, with both amplifiers configured as unity-gain buffers. It is possible to set up other op amp based configurations with the addition of passive components to the PCB footprints provided. It is recommended that 0603 sized surface mount components be used. Access to the input and output of each of these uncommitted amplifiers is also from connector J6.

### 6.1.5 Digital Interfacing

Connector J3 provides access to the receive and transmit enable outputs of the CMX885, RXENA and TXENA respectively.

## 6.2 Adjustments and Controls

None.

## 6.3 Software Description

When used with a PE0002, the 'Function Image Load' and 'Program Serial Memory' tabs are not relevant to the EV8850.

There is a range of PE0002 scripts available from the CML website demonstrating a range of CMX885 features.

## 6.4 Evaluation Tests

The following examples can be used to verify control of the CMX885 via the C-BUS interface. These registers can be programmed using the 'C-BUS Control' tab in the PE0002 software.

### 6.4.1 Write to and Read from a Register

- Write any 16-bit number to register \$C0.  
The data transferred to the device on the Command Data pin looks like this:  

```
{ C0 } { <ms byte> } { <ls byte> } ..... Command Data
```
- The value written to this register (the Powerdown Control register) can be read back from register \$C4 by issuing a single command byte, then reading two data bytes from the Reply Data pin, as follows:  

```
{ C4 } ..... Command Data
{ <ms byte> } { <ls byte> } ..... Reply Data
```

Note that the power consumption of the device will increase once this register has been written to, since some parts of the device will no longer be powersaved.

### 6.4.2 Check Transmit Voice Path

Configure the CMX885 with the C-BUS register data given in Table 6.

Write Data	C-BUS Register	
	Address	Name
\$5F40	\$C0	Powerdown Control
\$7700	\$B0	Analogue Gain
\$02B0	\$B1	Input Gain and Signal Routing
\$3000	\$A7	AuxADC and Tx MOD Mode
\$1400	\$C2	Audio Control
\$4002	\$C1	Mode Control

**Table 6 – CMX885 Register Settings – Transmit Voice Path**

Apply a 1kHz, audio signal to MICIN (J6 pin 5 or TP10), at a level of -10dBm (the maximum signal level before distortion is about +1dBm).

Check the audio signal at the MOD1 output pin (J6 pin 7 or TP11). The level should be nominally +/- 1dB of the input signal.

### 6.4.3 Check Receive Voice Path

Configure the CMX885 with the C-BUS register data given in Table 7.

Write Data	C-BUS Register	
	Address	Name
\$38C0	\$C0	Powerdown Control
\$000E	\$B0	Analogue Gain
\$0050	\$B1	Input Gain and Signal Routing
\$1400	\$C2	Audio Control
\$4001	\$C1	Mode Control

**Table 7 – CMX885 Register Settings - Receive Voice Path**

Apply a differential 1kHz, audio signal to DISCIN (J6, pin 1 or TP8) at a level of 0dBm.

Check the audio signal coming out of the CMX885 AUDIO output pin (TP13).  
The level should be -3.2dBm (+/- 1dB).

### 6.4.4 Generate Two External Digital Clocks

Configure the CMX885 with the C-BUS register data given in Table 8.

Write Data	C-BUS Register	
	Address	Name
\$0000	\$C0	Powerdown Control
\$1D27	\$AB	System Clock 1 PLL Configuration
\$E026	\$AC	System Clock 1 Reference and Source Configuration
\$1BF3	\$AD	System Clock 2 PLL Configuration
\$E626	\$AE	System Clock 2 Reference and Source Configuration

**Table 8 – CMX885 Register Settings - External Digital Clocks**

With the default 3.6864MHz clock input, a digital clock frequency of 4.088MHz should be observed at the system clock 1 output (TP3) and a frequency of 16.346MHz should be observed at the system clock 2 output (TP2).

Now write 0xC026 to either \$AC or \$AE registers to turn off the System Clock 1 or System Clock 2 outputs, respectively.

## 7 Performance Specification

### 7.1 Electrical Performance

#### 7.1.1 Absolute Maximum Ratings

Exceeding these maximum ratings can result in damage to the Evaluation Kit.

	<b>Min.</b>	<b>Max.</b>	<b>Units</b>
Supply (+V – 0V)	-0.3	9.0	V
Voltage on any connector pin to V <sub>SS</sub>	-0.3	3.6	V
Current into or out of +V and V <sub>SS</sub> pins	0	+0.45	A
Current into or out of any other connector pin	-20	+20	mA

#### 7.1.2 Operating Limits

Correct operation of the Evaluation Kit outside these limits is not implied.

	<b>Notes</b>	<b>Min.</b>	<b>Max.</b>	<b>Units</b>
Supply (+V – 0V)		4.5	5.5	V
External Clock Frequency		3.0	24.576	MHz



### 7.1.3 Operating Characteristics

For the following conditions unless otherwise specified:

Evaluation Device Clock Frequency = 3.6864MHz, +V = 5.0V, Tamb = +25°C.

For CMX885 parameters, see CMX885 data sheet.

	Notes	Min.	Typ.	Max.	Units
<b>DC Parameters</b>					
I <sub>DD</sub>	1, 2	-	6	9	mA
+3V3A		3.15	3.3	3.45	V
+3V3D		3.15	3.3	3.45	V
<b>Analogue Parameters</b>					
<b>Output Impedances</b>					
Mod1, Mod2 and Audio	3	-	100	-	kΩ
Buf1out and Buf2out	4	-	0.1	-	Ω
<b>Input Impedances</b>					
IP1, IP2 and IP3		-	50	-	kΩ
Buf1in and Buf2in	4	1	-	-	MΩ
<b>External Clock Input</b>					
'High' pulse width		21	-	-	ns
'Low' pulse width		21	-	-	ns
Input impedance		10	-	-	MΩ

- Notes:**
1. Total PCB current consumption, CMX885 in idle mode.
  2. Not including any current drawn from pins by external circuitry.
  3. Small signal impedance.
  4. When configured, as supplied, as unity gain buffers.

### 7.1.4 Operating Characteristics - Timing Diagrams

Please refer to the CMX885 Datasheet for details.

CML does not assume any responsibility for the use of any circuitry described. No IPR or circuit patent licences are implied. CML reserves the right at any time without notice to change the said circuitry and any part of this product specification. Evaluation kits and demonstration boards are supplied for the sole purpose of demonstrating the operation of CML products and are supplied without warranty. They are intended for use in a laboratory environment only and are not for re-sale, end-use or incorporation into other equipments. Operation of these kits and boards outside a laboratory environment is not permitted within the European Community. All software/firmware is supplied "as is" and is without warranty. It forms part of the product supplied and is licensed for use only with this product, for the purpose of demonstrating the operation of CML products. Whilst all reasonable efforts are made to ensure that software/firmware contained in this product is virus free, CML accepts no responsibility whatsoever for any contamination which results from using this product and the onus for checking that the software/firmware is virus free is placed on the purchaser of this evaluation kit or development board.

 <b>CML Microcircuits (UK) Ltd</b> <small>COMMUNICATION SEMICONDUCTORS</small>	 <b>CML Microcircuits (USA) Inc.</b> <small>COMMUNICATION SEMICONDUCTORS</small>	 <b>CML Microcircuits (Singapore) Pte Ltd</b> <small>COMMUNICATION SEMICONDUCTORS</small>
<b>Tel:</b> +44 (0)1621 875500 <b>Fax:</b> +44 (0)1621 875600 <b>Sales:</b> sales@cmlmicro.com <b>Tech Support:</b> techsupport@cmlmicro.com	<b>Tel:</b> +1 336 744 5050 800 638 5577 <b>Fax:</b> +1 336 744 5054 <b>Sales:</b> us.sales@cmlmicro.com <b>Tech Support:</b> us.techsupport@cmlmicro.com	<b>Tel:</b> +65 67450426 <b>Fax:</b> +65 67452917 <b>Sales:</b> sg.sales@cmlmicro.com <b>Tech Support:</b> sg.techsupport@cmlmicro.com
<b>- www.cmlmicro.com -</b>		